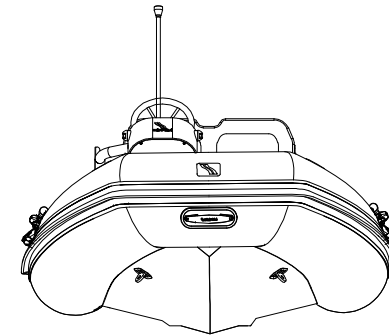
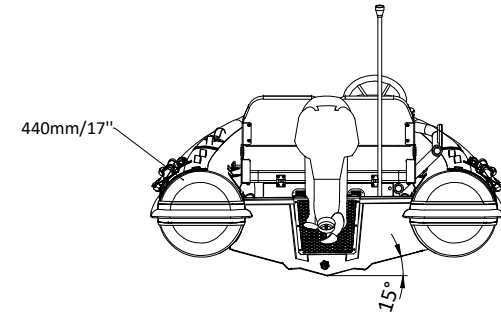
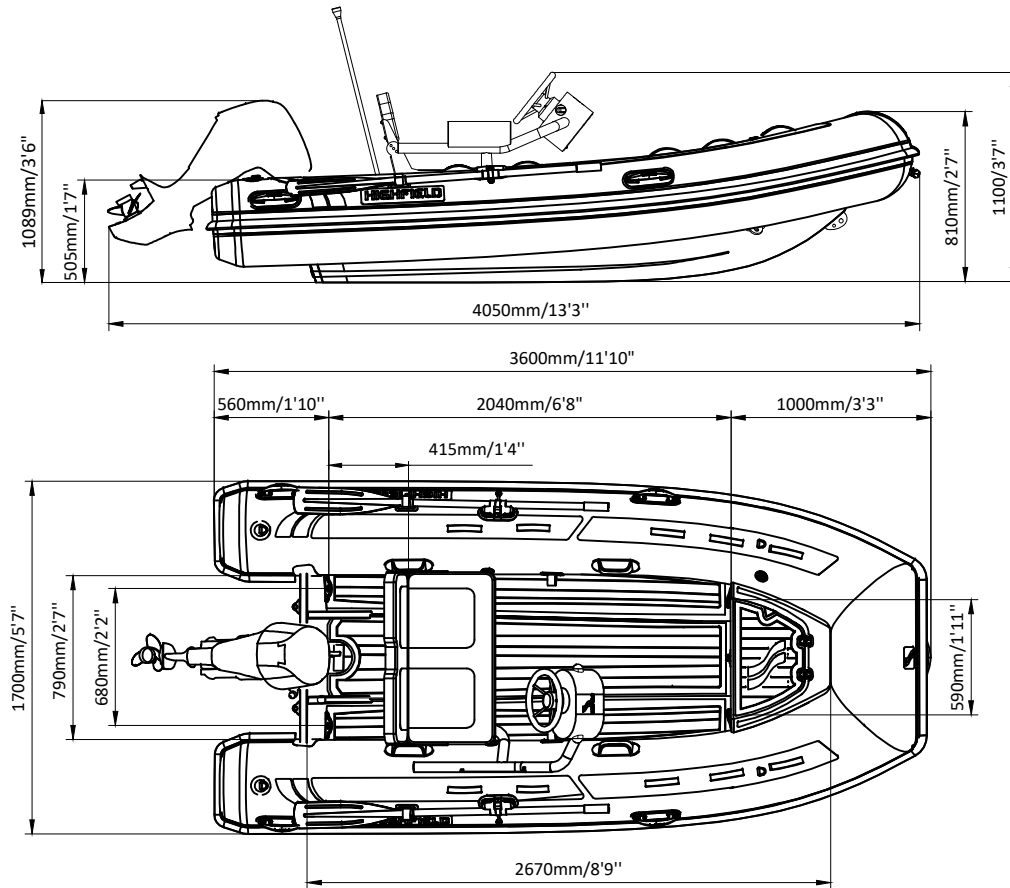


CLASSIC 360

(Short Shaft)

SPECIFICATIONS



SPECIFICATIONS AND MAXIMUM CAPACITIES (Subject to change without notice. Tolerances: dimensions $\pm 2.5\%$, weights $\pm 5\%$) Note: red means lifting eyes.

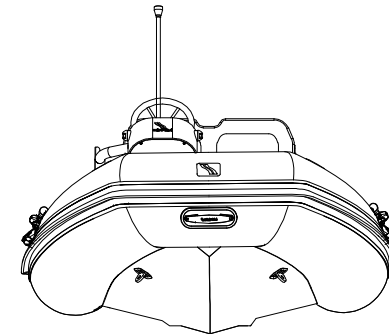
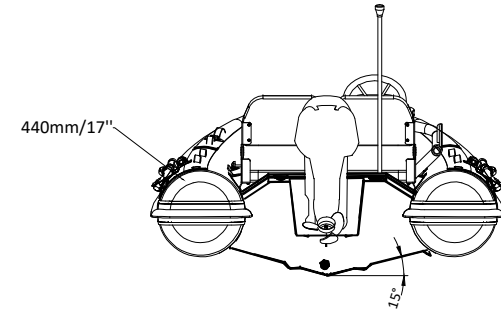
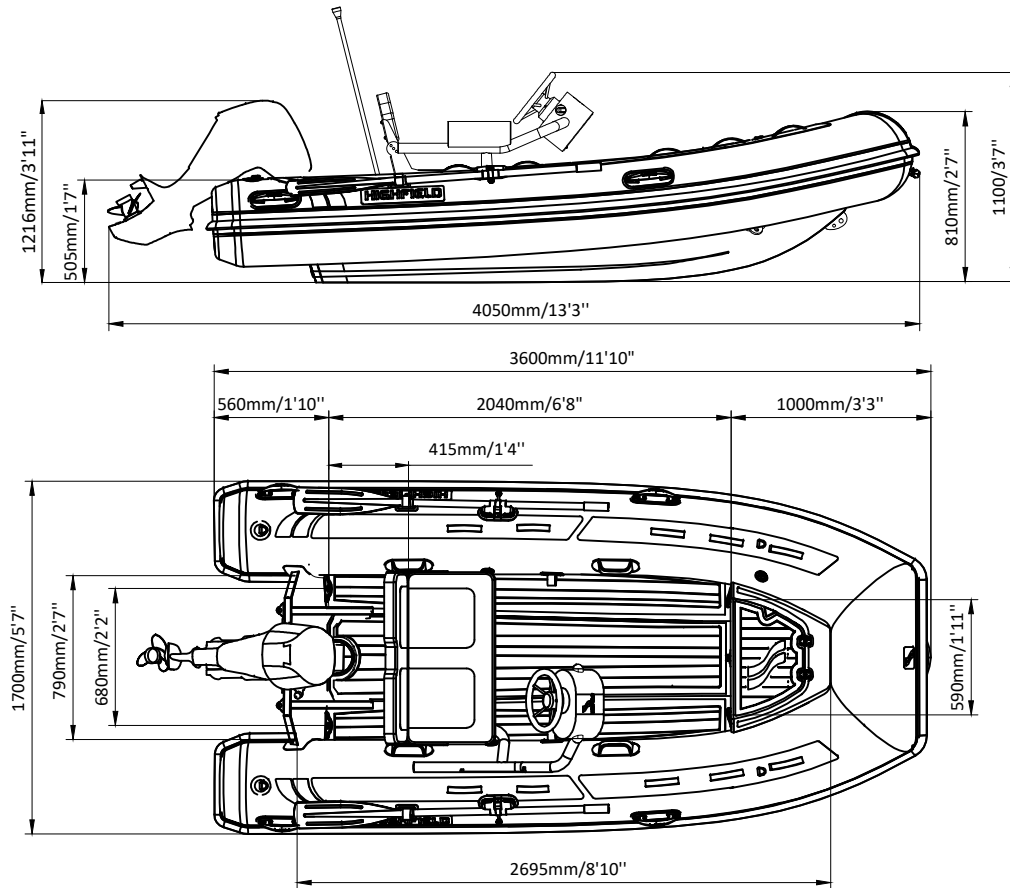
MODEL	ISO 6185 PART	ISO 6185	Occupants		#	Weight		Shaft	Outboard Engine				FCT		Molded seat		Oars		Fuel tank Capacity		Wet Weight (Approximate) 30HP (22.38KW)		AIR CHAMBERS	Pressure			
			KG	LB		KG	LB		Max power	Max weight	KG	LB	KG	LB	KG	LB	L	GAL	KG	LB	PSI	BAR					
									KW	HP	KG	LB															
CL360	3	C	561	1237	6	450	992	S	22.38	30	124.1	274	75	165	36	79	3	6.6	1.5	3.3	/	/	240	529	3	3.63	0.25

Weight: boat only.

CLASSIC 360 LS

(Long Shaft)

SPECIFICATIONS



SPECIFICATIONS AND MAXIMUM CAPACITIES (Subject to change without notice. Tolerances: dimensions $\pm 2.5\%$, weights $\pm 5\%$) Note: red means lifting eyes.

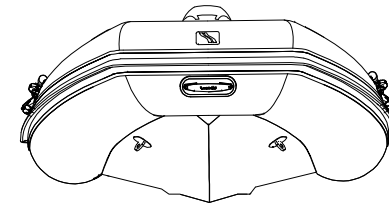
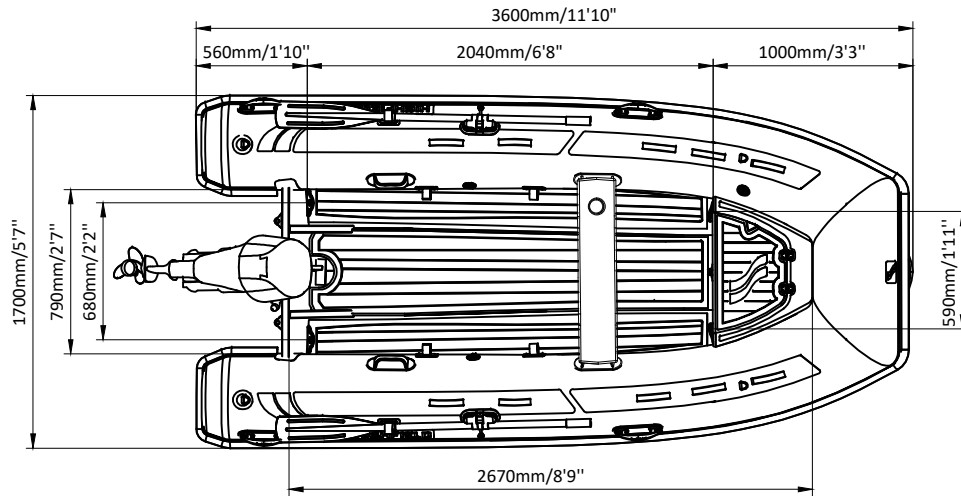
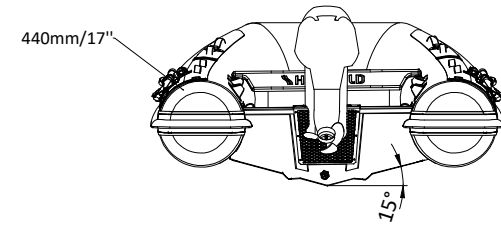
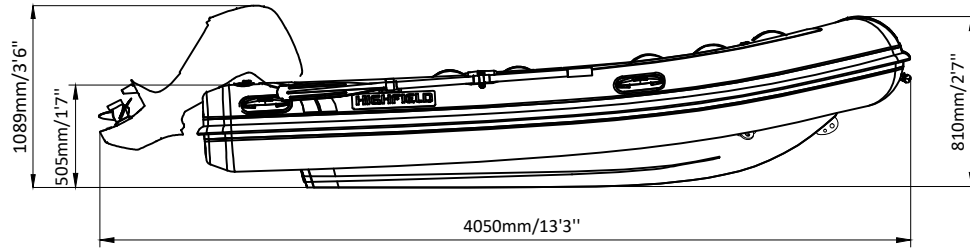
MODEL	ISO 6185 PART	ISO 6185	Occupants		#	Weight		Shaft	Outboard Engine				FCT		Molded seat		Oars		Fuel tank Capacity		Wet Weight (Approximate) 30HP (22.38KW)		AIR CHAMBERS	Pressure			
			KG	LB		KG	LB		KW	HP	KG	LB	KG	LB	KG	LB	L	GAL	KG	LB	PSI	BAR					
CL360	3	C	561	1237	6	450	992	L	22.38	30	124.1	274	75	165	36	79	3	6.6	1.5	3.3	/	/	240	529	3	3.63	0.25

Weight: boat only.

CLASSIC 360

(Short Shaft)

SPECIFICATIONS



SPECIFICATIONS AND MAXIMUM CAPACITIES (Subject to change without notice. Tolerances: dimensions $\pm 2.5\%$, weights $\pm 5\%$) Note: red means lifting eyes.

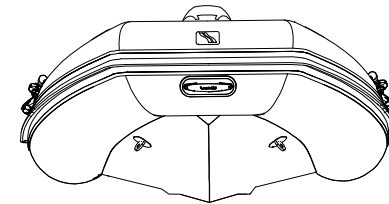
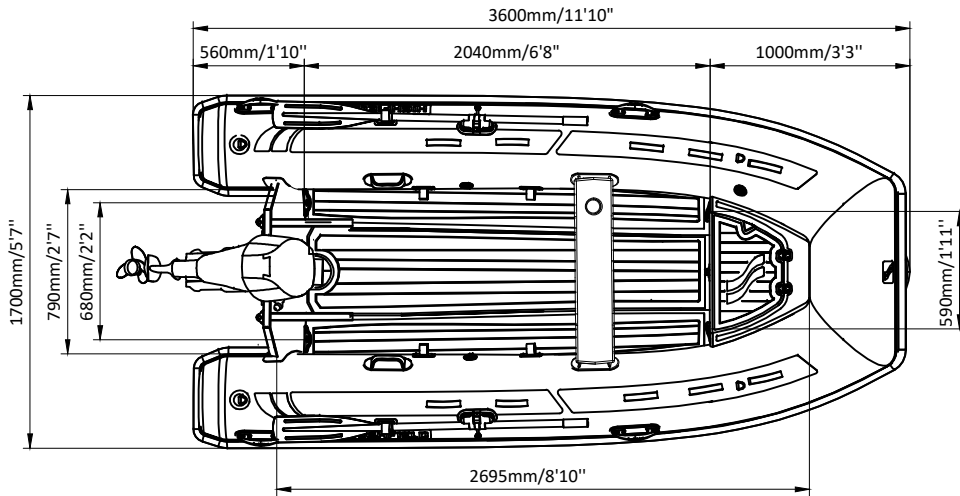
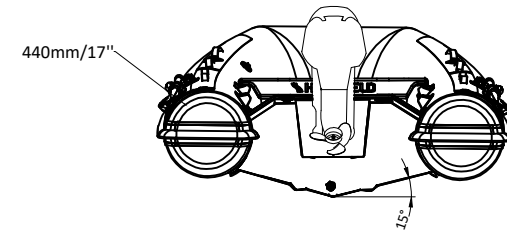
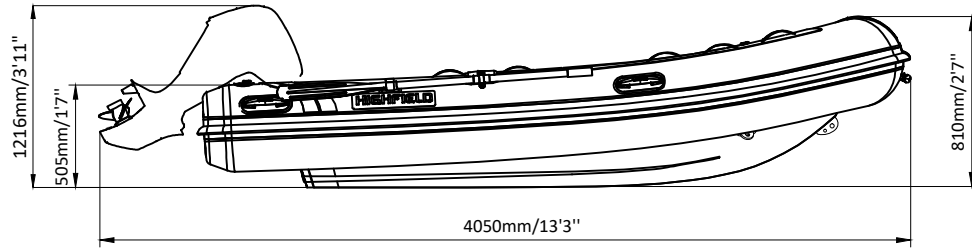
MODEL	ISO 6185 PART	ISO 6185	Crew		#	Weight		Shaft	Outboard Engine				Molded seat		Oars		/		Fuel tank Capacity		Wet Weight (Approximate) 30HP (22.38KW)		AIR CHAMBERS	Pressure			
			KG	LB		KG	LB		KG	LB	KG	LB	KG	LB	KG	LB	L	GAL	KG	LB	PSI	BAR					
			Max power	Max weight		KG	LB		KG	LB	KG	LB	KG	LB	/	/	/	/	KG	LB	PSI	BAR					
CL360	3	C	561	1237	6	450	992	S	22.38	30	124.1	274	75	165	3	6.6	1.5	3.3	/	/	/	/	204	450	3	3.63	0.25

Weight: boat only.

CLASSIC 360 LS

(Long Shaft)

SPECIFICATIONS



SPECIFICATIONS AND MAXIMUM CAPACITIES (Subject to change without notice. Tolerances: dimensions $\pm 2.5\%$, weights $\pm 5\%$) Note: red means lifting eyes.

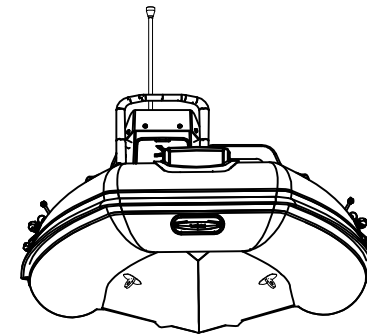
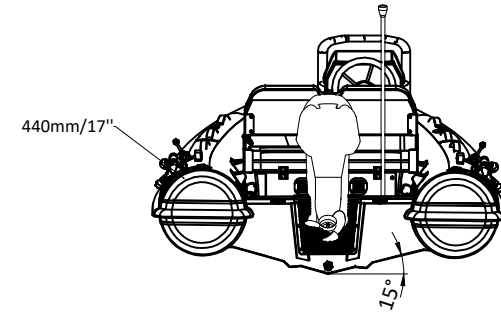
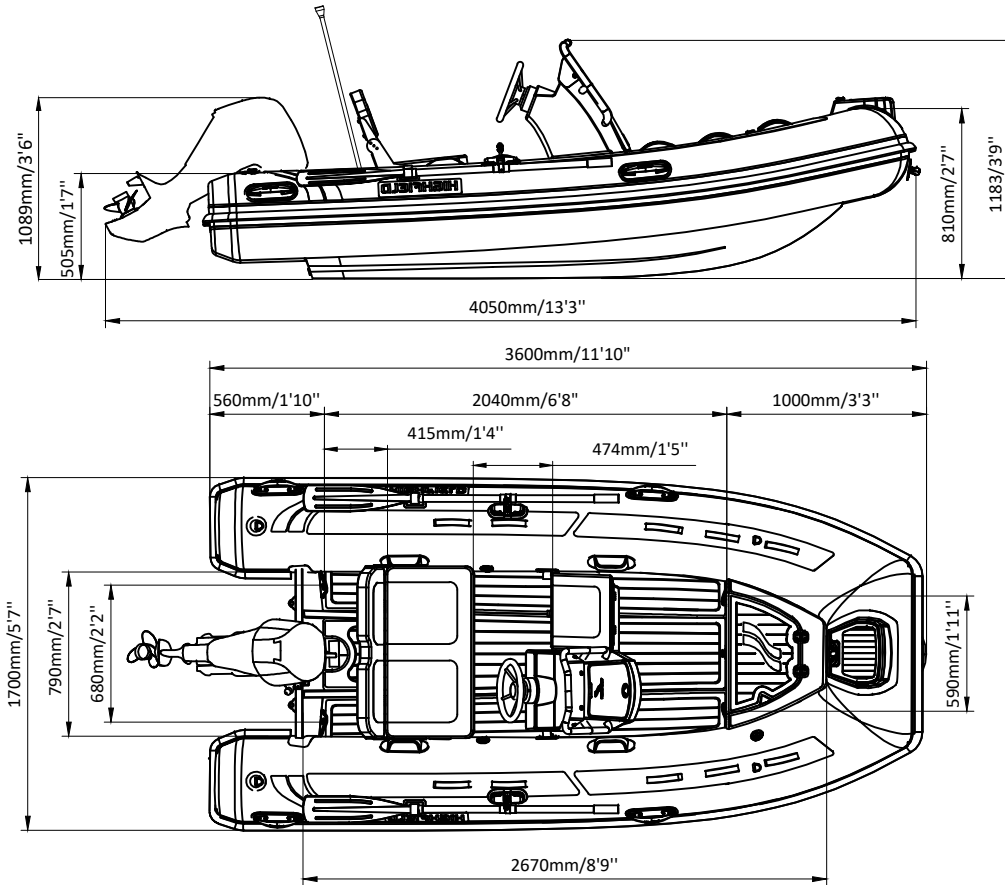
MODEL	ISO 6185 PART	ISO 6185			#			Shaft	Outboard Engine				Molded seat		Oars		/		Fuel tank Capacity		Wet Weight (Approximate) 30HP (22.38KW)		AIR CHAMBERS				
			KG	LB		KG	LB		KG	LB	KG	LB	KG	LB	L	GAL	KG	LB	PSI	BAR							
			Max power	Max weight		KW	HP		KG	LB	KG	LB	KG	LB	/	/	/	/	KG	LB	PSI	BAR					
CL360	3	C	561	1237	6	450	992	L	22.38	30	124.1	274	75	165	3	6.6	1.5	3.3	/	/	/	/	204	450	3	3.63	0.25

Weight: boat only.

CLASSIC 360

(Short Shaft)

SPECIFICATIONS



SPECIFICATIONS AND MAXIMUM CAPACITIES (Subject to change without notice. Tolerances: dimensions $\pm 2.5\%$, weights $\pm 5\%$) Note: red means lifting eyes.

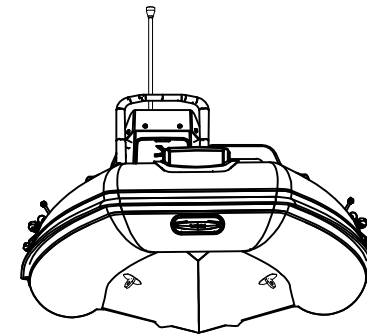
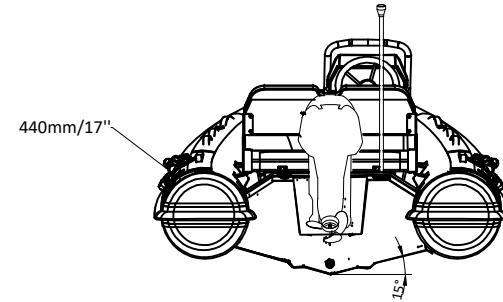
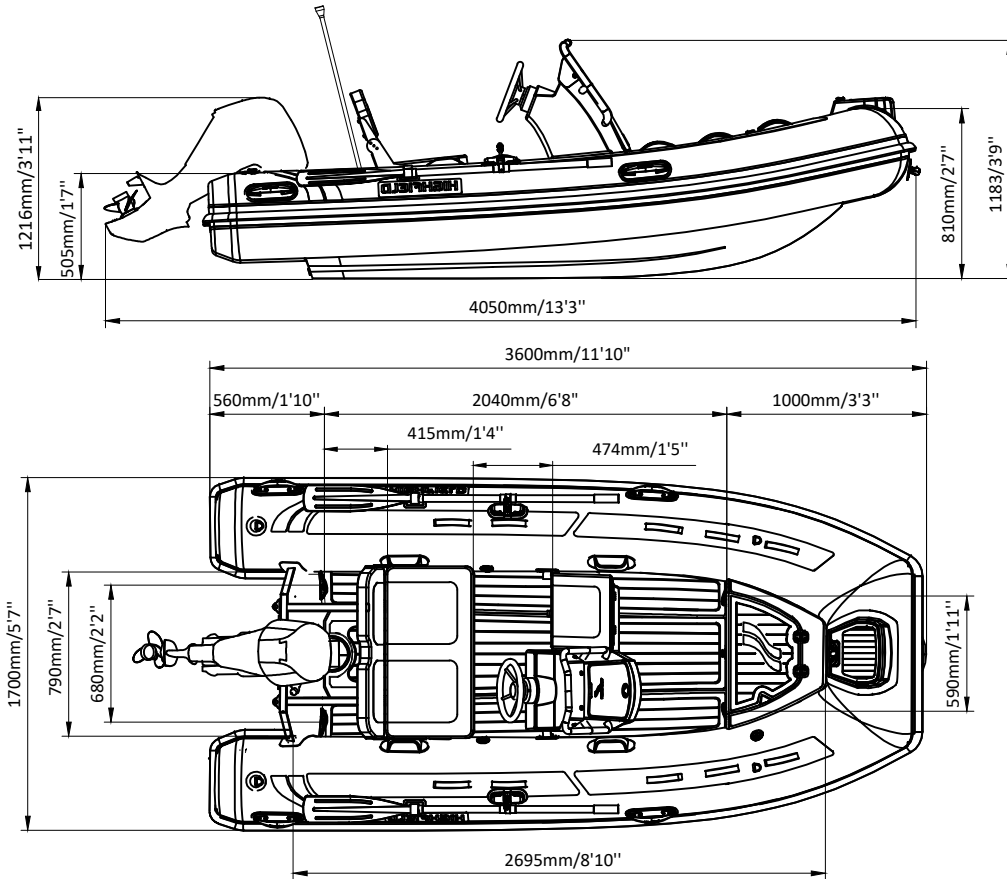
MODEL	ISO 6185 PART	ISO 6185	Person		#	Person		Shaft	Outboard Engine				GT CONSOLE		RS7		Oars		Fuel tank Capacity		Wet Weight (Approximate) 30HP (22.38KW)		AIR CHAMBERS	Pressure			
			KG	LB		KG	LB		Max power	Max weight	KG	LB	KG	LB	KG	LB	KG	LB	L	GAL	KG	LB		PSI	BAR		
									KW	HP	KG	LB															
CL360	3	C	561	1237	6	450	992	S	22.38	30	124.1	274	75	165	25.5	56	20.3	44.8	1.5	3.3	/	/	246.4	543.1	3	3.63	0.25

Weight: boat only.

CLASSIC 360 LS

(Long Shaft)

SPECIFICATIONS



SPECIFICATIONS AND MAXIMUM CAPACITIES (Subject to change without notice. Tolerances: dimensions $\pm 2.5\%$, weights $\pm 5\%$) Note: red means lifting eyes.

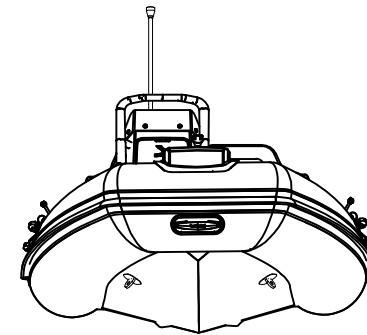
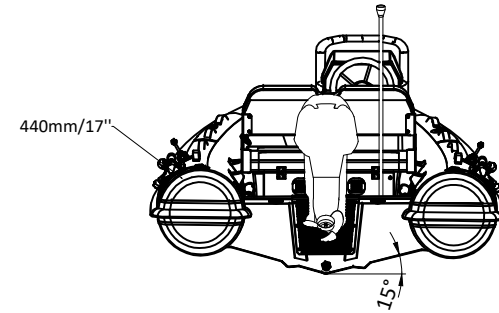
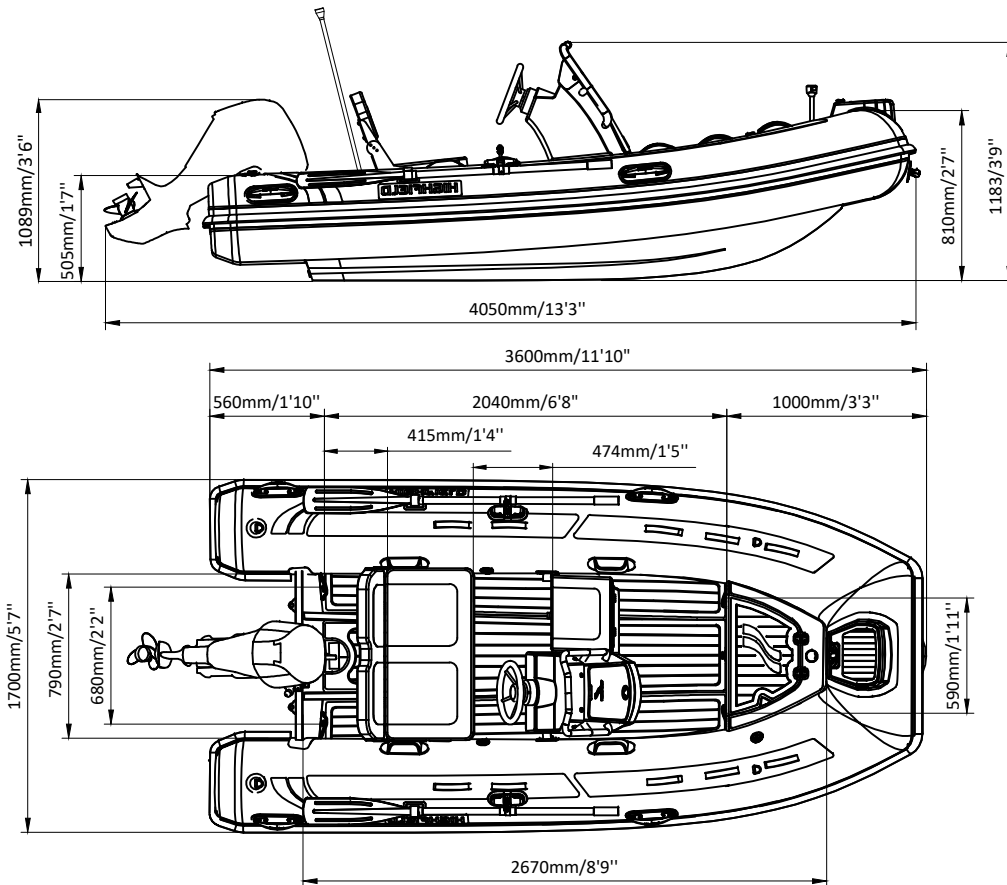
MODEL	ISO 6185 PART	ISO 6185	Occupants		#	Weight		Shaft	Outboard Engine				GT CONSOLE		RS7		Oars		Fuel tank Capacity		Wet Weight (Approximate) 30HP (22.38KW)		AIR CHAMBERS	Pressure			
			KG	LB		KG	LB		KG	LB	KG	LB	KG	LB	KG	LB	L	GAL	KG	LB	PSI	BAR					
			Max power	Max weight		Max power	Max weight		Max power	Max weight	Max power	Max weight	Max power	Max weight	Max power	Max weight	Max power	Max weight	Max power	Max weight	Max power	Max weight					
CL360	3	C	561	1237	6	450	992	L	22.38	30	124.1	274	75	165	25.5	56	20.3	44.8	1.5	3.3	/	/	246.4	543.1	3	3.63	0.25

Weight: boat only.

CLASSIC 360

(Short Shaft)

SPECIFICATIONS



SPECIFICATIONS AND MAXIMUM CAPACITIES (Subject to change without notice. Tolerances: dimensions ±2.5%, weights ±5%) Note: red means lifting eyes.

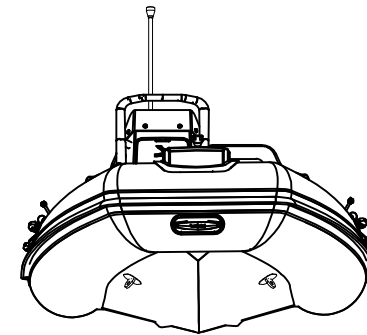
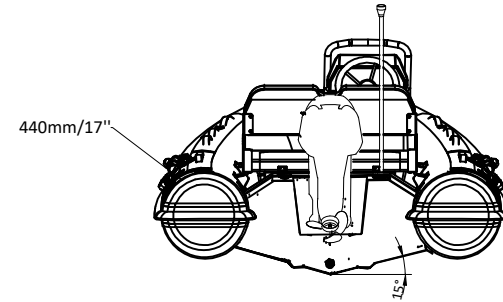
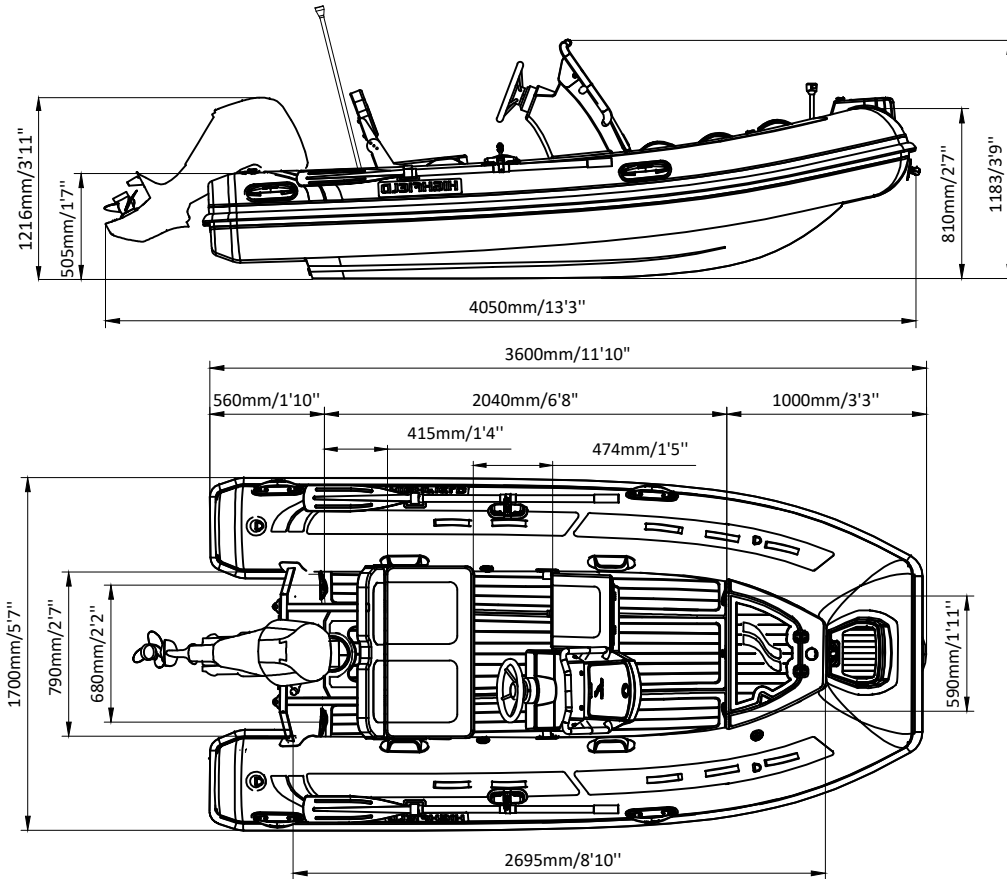
MODEL	ISO 6185 PART	ISO 6185	Person 1		#	Person 2		Shaft	Outboard Engine				GT CONSOLE		RS7		Oars		Fuel tank Capacity		Wet Weight (Approximate) 30HP (22.38KW)		AIR CHAMBERS	Pressure			
			KG	LB		KG	LB		KG	LB	KG	LB	KG	LB	KG	LB	L	GAL	KG	LB	PSI	BAR					
			Max power			Max weight			KG	LB	KG	LB	KG	LB	KG	LB	KG	LB	KG	LB	KG	LB		PSI	BAR		
CL360	3	C	561	1237	6	450	992	S	22.38	30	124.1	274	75	165	25.5	56	20.3	44.8	1.5	3.3	/	/	246.4	543.1	3	3.63	0.25

Weight: boat only.

CLASSIC 360 LS

(Long Shaft)

SPECIFICATIONS



SPECIFICATIONS AND MAXIMUM CAPACITIES (Subject to change without notice. Tolerances: dimensions $\pm 2.5\%$, weights $\pm 5\%$) Note: red means lifting eyes.

MODEL	ISO 6185 PART	ISO 6185	Occupants		#	Weight		Shaft	Outboard Engine				GT CONSOLE		RS7		Oars		Fuel tank Capacity		Wet Weight (Approximate) 30HP (22.38KW)		AIR CHAMBERS	Pressure			
			KG	LB		KG	LB		KG	LB	KG	LB	KG	LB	KG	LB	L	GAL	KG	LB	PSI	BAR					
			Max power	Max weight		KW	HP		KG	LB	KG	LB	KG	LB	KG	LB	KG	LB	KG	LB	PSI	BAR					
CL360	3	C	561	1237	6	450	992	L	22.38	30	124.1	274	75	165	25.5	56	20.3	44.8	1.5	3.3	/	/	246.4	543.1	3	3.63	0.25

Weight: boat only.